

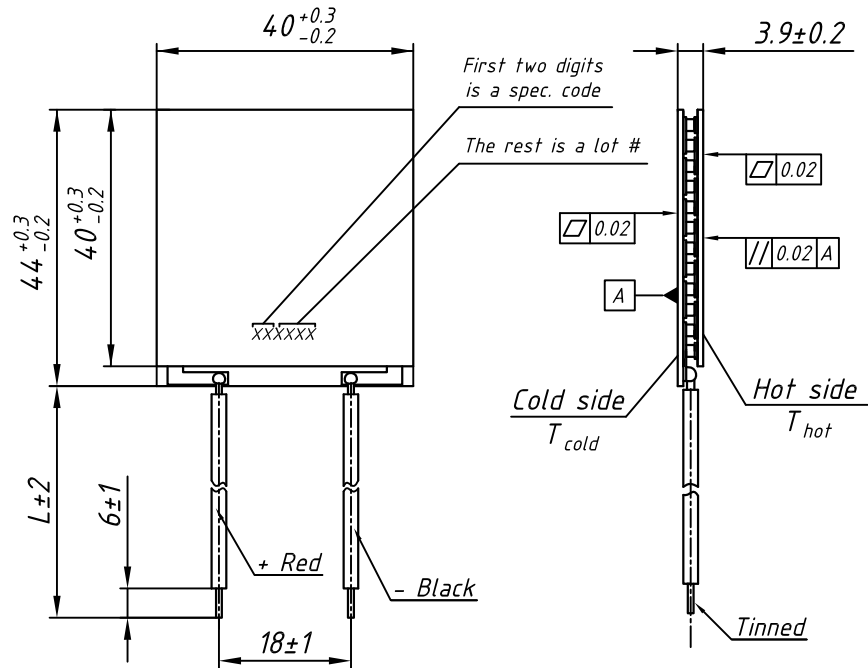
**TECHNICAL DATA**

$V_{oc}$	11.8 V	$T_{hot}=230^{\circ}C$ $T_{cold}=70^{\circ}C$
$V_{load}$	5.9 V	
$W_{load}$	7.7 W	
$I_{load}$	1.3 A	
$R_{load}$	4.5 Ohm	
ACR at 25°C	2.0 Ohm	
$R_f$ at 25°C	1.0 °C/W	
Pad type	Hot side Cold side	Ceramics $Al_2O_3$ , white 96%
Max. processing temperature	Depends on chosen solder type	
Standard tolerances for thermal and electrical parameters : $\pm 10\%$		

Notes:

- 1) Module AC resistance at 25°C does not include resistance of lead wires.
- 2)  $V_{oc}$  - generated voltage if open circuit.
- 3)  $R_{load}$  - matched load resistance corresponded to maximum generated electric power.
- 4)  $V_{load}$  - voltage generated on  $R_{load}$ .
- 5)  $I_{load}$  - generated electric current at  $R_{load}$ .
- 6)  $W_{load}$  - electric power generated on  $R_{load}$ .
- 7)  $R_f$  - thermal resistance of the module.

**MODULE DRAWING**  
standard design



**AVAILABLE MODIFICATIONS**

Design	Description
TMG-199-1.4-1.3 M	Version with increased ON/OFF reliability

**STANDARD ORDERING OPTIONS**

Nº	Option	Parameter
1	Lead wires	AWG Nº
		20      22      24
		L - under customer request
3	Lead wires insulation	Without insulation
		Silicone
		PTFE
4	Internal solder	Max. processing temp.
		227° C
		280° C *

**OPTIONS UPON REQUEST**

Height tolerance	$\pm 0.02$
Unflatness and nonparallelism	$\pm 0.01$

- Solder type marked \* is not compliant to RoHS (2002/95/EC)
- For another options consult of our technical support engineers

# TMG-199-1.4-1.3 M power generating TE module

