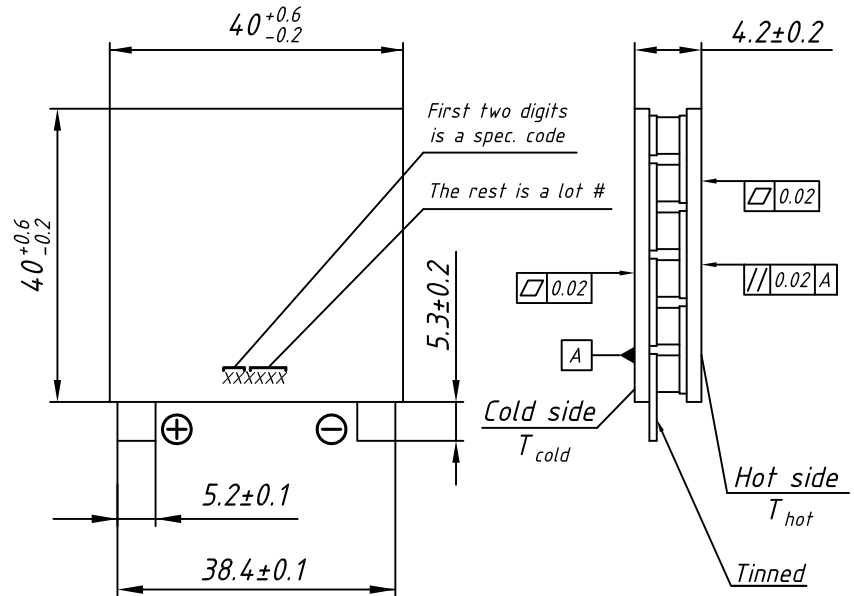


TECHNICAL DATA

V_{oc}	1,06 V	$T_{hot}=230^{\circ}C$ $T_{cold}=70^{\circ}C$
V_{load}	0,53 V	
W_{load}	7,0 W	
I_{load}	13,2 A	
R_{load}	0,04 Ohm	
ACR at 25°C	0,018 Ohm	
R_f at 25°C	1,1 °C/W	
Lead-in wire	Tinned copper dices	
Pad type	Hot side	Ceramics Al_2O_3 , white 96%
	Cold side	
Max. processing temperature	Depends on chosen solder type	
Standard tolerances for thermal and electrical parameters : $\pm 10\%$		

MODULE DRAWING
standard design



Notes:

- 1) Module AC resistance at 25°C does not include resistance of lead wires.
- 2) V_{oc} - generated voltage if open circuit.
- 3) R_{load} - matched load resistance corresponded to maximum generated electric power.
- 4) V_{load} - voltage generated on R_{load} .
- 5) I_{load} - generated electric current at R_{load} .
- 6) W_{load} - electric power generated on R_{load} .
- 7) R_f - thermal resistance of the module.

STANDARD ORDERING OPTIONS

Nº	Option	Parameter		
1	Lead wires	AWG Nº		
		20	22	24
		$L \geq 30$ mm		
2	Lead wires length	Without insulation		
		Silicone		
		PTFE		
3	Lead wires insulation	Max. processing temp.		
		227° C		
		280° C *		

AVAILABLE MODIFICATIONS

Design	Description
TMG-18-5,0-1,3 M	Version with increased ON/OFF reliability

OPTIONS UPON REQUEST

Height tolerance	± 0.02
Unflatness and nonparallelism	± 0.01

- Solder type marked * is not compliant to RoHS (2002/95/EC)
- For another options consult of our technical support engineers

Ferrotec Nord Corp.
www.ferrotec-nord.com
e-mail: info@ferrotec-nord.com
phone: +7 (499) 357-67-71
Peschany Carrier 3, 109383 Moscow, Russia

TMG-18-5.0-1.3 M power generating TE module

